

Level Process Display

TVL SERIES - SIMPLE PLUG & PLAY DESIGN

- ▶ All in One - Controller + NEMA 4X Enclosure
- ▶ Input : 4-20 mA
- ▶ 1A Relay Output + 4-20mA Output
- ▶ Power Supply Output: 24V DC
- ▶ RS-485/ Modbus RTU Standard
- ▶ Signal Peak Value Detection
- ▶ 3 Wire Cord Grips Included
- ▶ 2 Relay Output



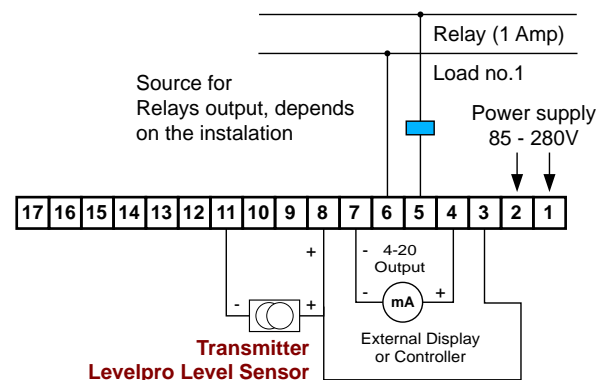
The TVL Series Process Meter Features an Easy, Functional Programming Menu "That is Easy to Operate" and a Clear 4-Digit, 20 mm High "Bright" LED Display. The Tight Enclosure with High Protection "NEMA 4X " Class (IP 65) Makes it an Ideal Choice for Heavy- Duty Applications. The Optional Infrared Controller can be Used to to Change the Settings without Opening the Enclosure.

TECHNICAL DATA

Power supply / Power consumption	85 - 260V AC/DC,
Display	LED, 4 x 20 mm High, Red, Adjustable Brightness.
Displayed values	-999 - 9999 - decimal point
Input	Current: 0-20 mA or 4-20 mA,
Accuracy	0.1% @25°C ± One Digit
Stability	50 ppm/°C
Outputs (option)	0 or 2 x REL I _{max} =1A, 1 x REL + 4-20 mA
Passive current output (option)	4-20mA, (Operating Range Max. 2.8 - 24 mA,)
Power supply output	24V DC
Communication Interface	RS-485
Operating temp	-4 - 158 °F (-20 -70 °C)
Storage temp	-4 - 158 °F (-20 -70 °C)
Protection class	NEMA 4X (IP65)
Case	Wall-Mounted; Material: Polycarbonate
Dimensions (WxNxH)	110 x 105 x 67 mm



PIN ASSIGNMENT



ORDERING

TVL - ITC 550-182X-1-X-08

Type of Outputs: _____

1 : 2 x REL

9 : 1 x REL + 1 x Current Output - (4-20mA)

08 : Operating Temp. -4 - 158 °F (-20 -70 °C)

Power Supply: _____

4 : 85V - 260V AC/DC - (STD)

ACCESSORIES



IR Remote Controller
IRC-20

